

**GOCE DELCEV UNIVERSITY - STIP**  
**FACULTY OF COMPUTER SCIENCE**

The journal is indexed in

**EBSCO**

ISSN 2545-4803 on line

DOI: 10.46763/BJAMI

**BALKAN JOURNAL**  
**OF APPLIED MATHEMATICS**  
**AND INFORMATICS**  
**(BJAMI)**



**YEAR 2023**

**VOLUME VI, Number 1**

**AIMS AND SCOPE:**

BJAMI publishes original research articles in the areas of applied mathematics and informatics.

**Topics:**

1. Computer science;
2. Computer and software engineering;
3. Information technology;
4. Computer security;
5. Electrical engineering;
6. Telecommunication;
7. Mathematics and its applications;
8. Articles of interdisciplinary of computer and information sciences with education, economics, environmental, health, and engineering.

**Managing editor**

**Mirjana Kocaleva Vitanova** Ph.D.

**Zoran Zlatev** Ph.D.

**Editor in chief**

**Biljana Zlatanovska** Ph.D.

**Lectoure**

**Snezana Kirova**

**Technical editor**

**Biljana Zlatanovska** Ph.D.

**Mirjana Kocaleva Vitanova** Ph.D.

**BALKAN JOURNAL  
OF APPLIED MATHEMATICS AND INFORMATICS  
(BJAMI), Vol 6**

**ISSN 2545-4803 on line  
Vol. 6, No. 1, Year 2023**

## EDITORIAL BOARD

- Adelina Plamenova Aleksieva-Petrova**, Technical University – Sofia,  
Faculty of Computer Systems and Control, Sofia, Bulgaria
- Lyudmila Stoyanova**, Technical University - Sofia , Faculty of computer systems and control,  
Department – Programming and computer technologies, Bulgaria
- Zlatko Georgiev Varbanov**, Department of Mathematics and Informatics,  
Veliko Tarnovo University, Bulgaria
- Snezana Scepanovic**, Faculty for Information Technology,  
University “Mediterranean”, Podgorica, Montenegro
- Daniela Veleva Minkovska**, Faculty of Computer Systems and Technologies,  
Technical University, Sofia, Bulgaria
- Stefka Hristova Bouyuklieva**, Department of Algebra and Geometry,  
Faculty of Mathematics and Informatics, Veliko Tarnovo University, Bulgaria
- Vesselin Velichkov**, University of Luxembourg, Faculty of Sciences,  
Technology and Communication (FSTC), Luxembourg
- Isabel Maria Baltazar Simões de Carvalho**, Instituto Superior Técnico,  
Technical University of Lisbon, Portugal
- Predrag S. Stanimirović**, University of Niš, Faculty of Sciences and Mathematics,  
Department of Mathematics and Informatics, Niš, Serbia
- Shcherbacov Victor**, Institute of Mathematics and Computer Science,  
Academy of Sciences of Moldova, Moldova
- Pedro Ricardo Morais Inácio**, Department of Computer Science,  
Universidade da Beira Interior, Portugal
- Georgi Tuparov**, Technical University of Sofia Bulgaria
- Martin Lukarevski**, Faculty of Computer Science, UGD, Republic of North Macedonia
- Ivanka Georgieva**, South-West University, Blagoevgrad, Bulgaria
- Georgi Stojanov**, Computer Science, Mathematics, and Environmental Science Department  
The American University of Paris, France
- Iliya Guerguiev Bouyukliev**, Institute of Mathematics and Informatics,  
Bulgarian Academy of Sciences, Bulgaria
- Riste Škrekovski**, FAMNIT, University of Primorska, Koper, Slovenia
- Stela Zhelezova**, Institute of Mathematics and Informatics, Bulgarian Academy of Sciences, Bulgaria
- Katerina Taskova**, Computational Biology and Data Mining Group,  
Faculty of Biology, Johannes Gutenberg-Universität Mainz (JGU), Mainz, Germany.
- Dragana Glušac**, Tehnical Faculty “Mihajlo Pupin”, Zrenjanin, Serbia
- Cveta Martinovska-Bande**, Faculty of Computer Science, UGD, Republic of North Macedonia
- Blagoj Delipetrov**, European Commission Joint Research Centre, Italy
- Zoran Zdravev**, Faculty of Computer Science, UGD, Republic of North Macedonia
- Aleksandra Mileva**, Faculty of Computer Science, UGD, Republic of North Macedonia
- Igor Stojanovik**, Faculty of Computer Science, UGD, Republic of North Macedonia
- Saso Koceski**, Faculty of Computer Science, UGD, Republic of North Macedonia
- Natasa Koceska**, Faculty of Computer Science, UGD, Republic of North Macedonia
- Aleksandar Krstev**, Faculty of Computer Science, UGD, Republic of North Macedonia
- Biljana Zlatanovska**, Faculty of Computer Science, UGD, Republic of North Macedonia
- Natasa Stojkovik**, Faculty of Computer Science, UGD, Republic of North Macedonia
- Done Stojanov**, Faculty of Computer Science, UGD, Republic of North Macedonia
- Limonka Koceva Lazarova**, Faculty of Computer Science, UGD, Republic of North Macedonia
- Tatjana Atanasova Pacemska**, Faculty of Computer Science, UGD, Republic of North Macedonia



---

## CONTENT

<b>Jasmina Veta Buralieva</b> SOME ABELIAN RESULTS FOR THE DISTRIBUTIONAL STOCKWELL TRANSFORM.....	7
<b>Aleksandra Risteska-Kamcheski, Mirjana Kocaleva Vitanova</b> APPLICATION OF FUNDAMENTAL LEMMA OF VARIATIONAL CALCULUS TO THE PROBLEM OF PLATEAU.....	17
<b>Goce Stefanov, Maja Kukuseva Paneva, Sara Stefanova</b> 3-PHASE SMART POWER METER IMPLEMENTED IN AN RF NETWORK .....	25
<b>Toshe Velkov, Vlatko Chingoski</b> SPEED CONTROL OF AC MOTORS FOR ELECTRIC VEHICLES USING FIELD ORIENTED CONTROL .....	37
<b>Aleksandra Risteska-Kamcheski</b> GENERALIZATION OF THE APPLICATION OF A FUNDAMENTAL LEMMA OF VARIATIONAL CALCULUS TO REVOLUTIONIZE TRANSPORTATION BY USING THE SOLUTION OF BRACHISTOCHRONE .....	49
<b>Ana Atanasova, Limonka Koceva Lazarova</b> NEWEST TRENDS AND TECHNOLOGIES RELATED TO ACTUARIAL MATHEMATICS – REVIEW PAPER .....	59



## SPEED CONTROL OF AC MOTORS FOR ELECTRIC VEHICLES USING FIELD ORIENTED CONTROL

TOSHE VELKOV AND VLATKO CHINGOSKI

**Abstract.** The paper describes the speed regulation of electric vehicles driven by induction motors with the help of a vector control scheme which emulates a DC motor with independent excitation. The proposed speed regulation provides constant torque and constant speed of electric motors at different loads. Since vector control method needs the position of the rotor at any time, there are two types of speed regulation, direct - by measuring the angle of the rotor with the help of a hall sensor, and indirect - by mathematical determination of the rotor position. There will also be a simulation showing that in order to obtain a more adverse outcome, we must have a properly tuned PI regulator, which would otherwise result in delayed response and oscillations of the controlled driving system.

**Keywords.** Electric Vehicle, AC Motor, Transformations, Torque, Speed, PI Regulator

### 1. Introduction

The field of controlled electric drives has undergone rapid expansion over the last few years, mainly due to the advantages of semiconductors in both industrial and signal electronics and culminating in microelectronic microprocessors [1]. These technological improvements have enabled the development of a truly efficient AC drive control with less power dissipation and even more precise control structures. Power drive controls are becoming more accurate in the sense that not only are DC current and voltage controlled, but three-phase currents and voltages are also controlled by the so-called power supply vector controls [2].

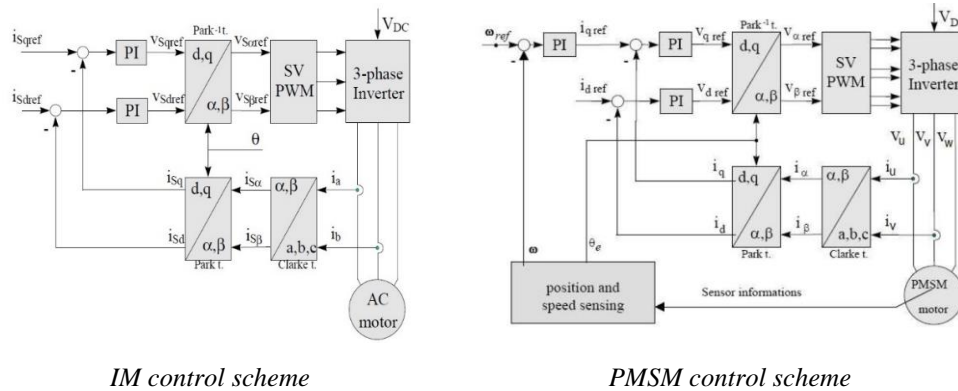
This paper describes a very efficient form of a vector control scheme based on the field-oriented speed and torque control of AC motors used widely in modern electric vehicles. The proposed scheme is based on these main points: the transformation of three-phase current or voltage and time-dependent system into two coordinate time-invariant systems, decoupling of torque and flux, tuning of the PI controller, and effective generation of broadband impulse modulation. Thanks to these factors, AC control of the AC machine gains every advantage over DC control of the DC machine and gets rid of mechanical offsets.

Two field orientation schemes that require PI controllers have already been presented [3]. In general, the variables to be controlled are speed, torque, flux, voltage, and current [4]. The implementation of the direct type of field-oriented control has been regarded as being difficult in practice by virtue of the sensors needed for the control, such as search coils or Hall-effect sensors. These sensors, besides contributing a considerable amount to

the total cost of the controller and affecting reliability, often impose some additional control problems [7] – [12]. In a feedforward field orientation drive system, a slip calculator is used to coordinate the values of the magnetic flux, torque, and slip commands. In particular, the indirect vector control (sometimes called decoupling control or field-oriented control) system is the most practical system because of its various merits such as no required flux sensor and higher reliability of flux measurement, etc. Such systems, however, have the disadvantage of requiring a shaft angle sensor [13] – [15]. Various pulse wide modulation (PWM) technologies have also been developed and implemented in practical inverters. Some of the most popular methods are based on the concept of space vectors of the inverter voltages [16] – [18], and the utilization of the so-called voltage source inverters (VSI) that use sinusoidal band hysteresis current controllers [19], [20]. Regardless of which control method is used, using adequate tuning of the PI controller results with a very accurate steady-state and transient control that leads to high dynamic performance of the controlled AC motors in terms of timing response and power conversion.

## 2. Principles of the field-oriented control

The main purpose of the field-oriented control (FOC) is to keep the stator field perpendicular to the rotor field so that it can always produce maximum torque as with DC motors. For the control of the speed and torque of induction motors (IM) and/or permanent magnet synchronous motors (PMSM), the only approach is through phase voltages and currents. Figure 1 shows a simplified block scheme for general field-oriented control of IM and PMSM using mathematical transformations, such as forward and inverse Clarke and Park transformations.



*IM control scheme*

*PMSM control scheme*

Figure 1. The basic scheme of the induction motor with vector control

The measurements of the feed currents  $i_a$  and  $i_b$  of the IM, or  $i_u$  and  $i_v$  for the PMSM, respectively, using the Clarke transformation module, results with output currents so-called designated currents  $i_{s\alpha}$  и  $i_{s\beta}$ , or  $i_\alpha$  и  $i_\beta$ , respectively [1, 2].

These two components of the current than become the inputs of the Park transformation that gives the current in the  $d - q$  rotating reference frame. The  $i_{sd}$  and  $i_{sq}$  components are compared to the references  $i_{sdrref}$  (the flux reference) and  $i_{sqref}$  (the torque reference). At this point, this control structure shows an interesting advantage: it



can be used to control either synchronous or induction machines by simply changing the flux reference and obtaining a rotor flux position. As in synchronous permanent magnet motors, the rotor flux is fixed (determined by the magnets), there is no need to create one. Hence, when controlling a PMSM,  $i_{sdref}$  should be set to zero, as shown in Figure 1. As induction motors need a rotor flux creation in order to operate, the flux reference must not be zero. This easily solves one of the major drawbacks of the “classic” control structures: the portability from asynchronous to synchronous drives. The torque command  $i_{sqref}$  could be the output of the speed regulator when we use a speed FOC.

The outputs of the current regulators are  $v_{sdref}$  and  $v_{sqref}$ ; they are applied to the inverse Park transformation. The outputs of this projection are  $v_{saref}$  and  $v_{s\beta ref}$ , which are the components of the stator vector voltage in the  $\alpha, \beta$  stationary orthogonal reference frame. These are the inputs of the Space Vector Pulse-Wide Modulator (SV PWM) as shown in Figure 1. The outputs of this block are the signals that drive the inverter. Note that both Park and inverse Park transformations need rotor flux position. Obtaining this rotor flux position depends on the AC machine type (synchronous or asynchronous machine) [1], [2]. In general, accurate control of instantaneous torque produced by a motor is required in high-performance drive systems, such as electrical vehicles (EV) and hybrid electrical vehicles (HEV) propulsions. The torque developed in the motor is a result of the interaction between the current in the armature winding and the magnetic field produced in the stator field of the motor. The field should be maintained at a certain optimal level, sufficiently high to yield a high torque per unit, but not too high to result in excessive saturation of the magnetic circuit of the motor [5]. With a fixed field, the torque is proportional to the armature current.

However, independent control of the field and armature currents is highly desirable. In a similar manner to that of a DC motor, the armature winding in IMs is also on the rotor, while the field is generated by currents in the stator winding. However, the rotor current is not directly derived from an external source but it results from the EMF induced in the winding as a result of the relative motion of the rotor conductors with respect to the stator field. In the most used squirrel-cage motors, only the stator current can be directly controlled since the rotor winding is not accessible. Optimal torque production conditions are not inherent due to the absence of a fixed physical disposition between the stator and rotor fields, and the torque equation is nonlinear. In such cases, the FOC can realize the optimal control for transient operation of an induction drive. The FOC can decouple the field control from the torque control [3]. A field-oriented IM emulates a separately excited DC motor in two aspects:

- the magnetic field and the motor torque can be controlled independently, and
- the optimum torque output conditions, resulting in maximum torque per unit, occurring at the motor in both steady-state and transient operating conditions.

In such matters, the field-oriented control of an IM emulates the optimal torque production conditions that are inherently satisfied in a DC motor (see Figure 2). The armature current  $i_a$  supplied through brushes is always orthogonal to the flux vector (field flux),  $\lambda_f$ , produced in the stator, and linking the rotor winding. Thus, the developed torque,  $T$ , is proportional both to the armature current and the field flux, that is,

$$T = K_T i_a \lambda_f \quad (1)$$

where  $K_T$  is a constant depending on the physical parameters of the motor. Therefore, the torque of the separately excited DC motors can be controlled by independently controlling the armature current and flux as previously mentioned [3], [4].

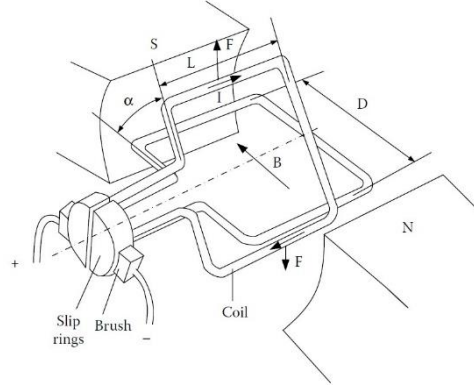


Figure 2. Principle operational scheme of a DC electric motor

### 3. Field-Oriented control scheme

As demonstrated in the above section, the field orientation principle defines the conditions of optimal torque production. The orthogonality of the rotor current and stator flux vectors must always be maintained. This is inherently satisfied in the steady state when the rotor settles down to such a speed that the developed torque matches the load torque. Under transient conditions, however, in order to meet the field orientation principal conditions, special techniques are required to provide an algorithmic equivalent of the actual physical disposition between the stator and rotor fields of the emulated DC motor.

The general block diagram of a vector control system for an IM drive is shown in Figure 3. A field orientation system produces reference signals,  $i_{as}^*$ ,  $i_{bs}^*$  and  $i_{cs}^*$  of the stator currents, based on the input reference values  $\lambda_r^*$  and  $T^*$  of the rotor flux and motor torque, respectively, and the signals corresponding to selected variables of the motor. An inverter supplies the motor currents,  $i_{as}$ ,  $i_{bs}$  and  $i_{cs}$ , such that their waveforms follow the reference waveform,  $i_{as}^*$ ,  $i_{bs}^*$ , and  $i_{cs}^*$  [4].

Initially, it is not indicated which vector the excitation reference frame  $D - Q$  aligns with. Clearly, anyone of the vectors can be used as a reference with which the excitation frame is to be aligned. In practice, usually it is the rotor flux vector,  $\lambda_r^s$ , along which the excitation frame is orientated. This method is referred to as the rotor flux orientation scheme, and it is shown in Figure 4 [6]. If the angular position of the rotor flux vector in the stator reference frame is denoted by  $\theta_r$ , the  $D - Q$  to  $d - q$  transformation of currents and voltages in the described scheme could be expressed as:

$$\begin{bmatrix} i_{ds}^{s*} \\ i_{qs}^{s*} \end{bmatrix} = \begin{bmatrix} \cos(\theta_r) & -\sin(\theta_r) \\ \sin(\theta_r) & \cos(\theta_r) \end{bmatrix} \begin{bmatrix} i_{DQ}^{e*} \\ i_{QD}^{e*} \end{bmatrix} \quad (2)$$

$$\begin{bmatrix} v_{DS}^e \\ v_{QS}^e \end{bmatrix} = \begin{bmatrix} \cos(\omega t) & \sin(\omega t) \\ -\sin(\omega t) & \cos(\omega t) \end{bmatrix} \begin{bmatrix} v_{ds}^s \\ v_{qs}^s \end{bmatrix} \quad (3)$$

It can be observed that this orientation of the orientation frame inherently satisfies the field orientation principal condition. The rotor flux is controlled by adjusting the  $i_{DS}^e$  component of the stator current vector—independently of the torque control, which is realized only by means of the  $i_{QS}^e$  component. The only requirement for this scheme is the accurate identification of angle  $\theta_r$ , that is, the position of  $\lambda_r^s$ . This can be done in either a direct or indirect way [5], [6].

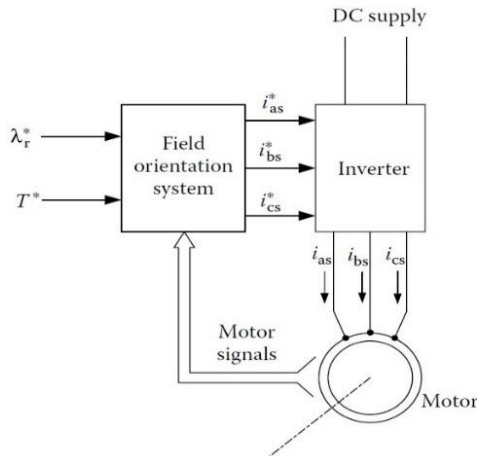


Figure 3. General block diagram of a vector control system for an induction motor

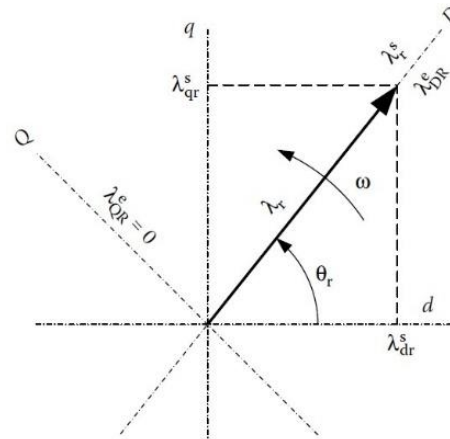


Figure 4. The orientation of the excitation reference frame along the rotor flux vector

In a field orientated IM, the  $i_{DS}^e$  and  $i_{QS}^e$  components of the stator current vector  $i_s^e$  in the excitation frame can be used for the independent control of the motor field and torque, respectively. Hence, the field orientation system as shown in Figure 3, first converts  $\lambda_r^*$  and  $T^*$  into the corresponding reference signals,  $i_{DS}^e$  and  $i_{QS}^e$ , of the vector of the stator current and then transforms them into the reference signals,  $i_{as}^*$ ,  $i_{bs}^*$  and  $i_{cs}^*$ , of the stator phase current, which are to be produced by the inverter. The stator phase currents,  $i_{as}^*$ ,  $i_{bs}^*$  and  $i_{cs}^*$ , can be calculated using  $d - q$  to  $a-b-c$  transformation if the corresponding reference signals,  $i_{ds}^{s*}$  and  $i_{qs}^{s*}$ , in the stator reference frame are known. This is a simple scalar or static transformation since the elements of the transformation matrix used to perform this operation are constant [2].

### 3.1. Direct flux control

In direct field orientation systems, the magnitude and the angular position (phase) of the reference flux vector,  $\lambda_r^e$  are either measured or estimated from the stator voltage and current using flux observers. For example, Hall sensors can be used to measure magnetic

fields. Placing the sensors in the air gap of the motor, on the  $d$  and  $q$  axes, allows the determination of the corresponding components of the vector  $\lambda_m^s$  of the mutual flux (air gap flux). However, this air gap flux differs from the rotor flux, which is taken as the reference flux vector [7].

Since  $\lambda_r^s$  differs from the  $\lambda_m^s$  by only the leakage flux in the rotor, then:

$$\lambda_r^s = \lambda_m^s + L_{1r}i_r^s = \frac{L_r}{L_m}\lambda_m^s - L_{1r}i_s^s \quad (4)$$

A microprocessor-based rotor flux calculator is shown in Figure 5. It performs algebraic operations as follows:

- signals  $i_{ds}^s$  and  $i_{qs}^s$  are calculated from the actual stator phase currents,  $i_{as}$ ,  $i_{bs}$  and  $i_{cs}$ , using the  $a$ - $b$ - $c$  to  $d$ - $q$  static transformation, following by
- calculating signals  $\lambda_{dr}^s$  and  $\lambda_{qr}^s$  using (2), [8],

$$\lambda_{dr}^s = \frac{L_r}{L_m}\lambda_{dm}^s - L_{1r}i_{ds}^s \quad (5)$$

$$\lambda_{qr}^s = \frac{L_r}{L_m}\lambda_{qm}^s - L_{1r}i_{qs}^s \quad (6)$$

- finally, the magnitude  $\lambda_r$  and the phase  $\theta_r$  of the rotor flux vector are determined using the rectangular to polar coordinate transformation.

$$\lambda_{qr}^s = \lambda_{dr}^s + j\lambda_{qr}^s \rightarrow \lambda_r \angle \theta_r \quad (7)$$

It must be pointed out that the orthogonal spacing of the flux sensors in Figure 5 applies only to two-pole machines. In a  $p$ -pole machine, the sensors must be placed  $180/p$  from each other [9] – [11].

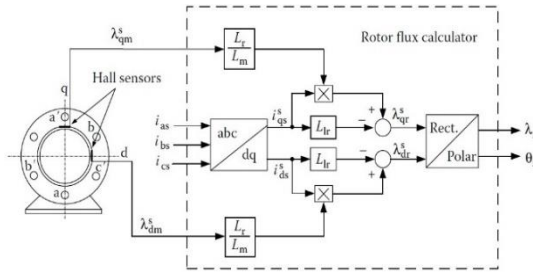


Figure 5. Determination of the magnitude and position of the rotor flux vector using a Hall sensor and a rotor flux calculator

Since  $\lambda_{DR}^s = \lambda_r$ , then the output variable  $\lambda_r$  of the rotor flux calculator can be used as a feedback signal in the field control loop. The same variables can also be used for the calculation of the developed torque as shown in Figure 6. The torque calculator computes torque in the following steps:

- the static  $a$ - $b$ - $c$  to  $d$ - $q$  transformation is performed on the stator currents  $i_{as}$ ,  $i_{bs}$  and  $i_{cs}$  to obtain  $i_{ds}^s$  and  $i_{qs}^s$ ;

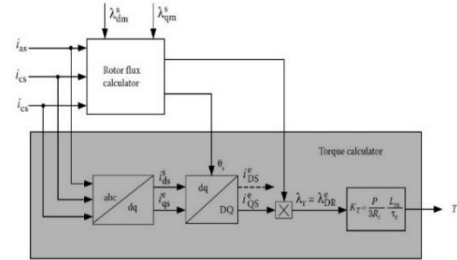


Figure 6. Torque calculator

- the angle  $\theta_r$  supplied by the rotor flux calculator is substituted into (3) for  $\omega t$  in order to transfer signals  $i_{ds}^s$  and  $i_{qs}^s$  into  $i_{DS}^e$  and  $i_{QS}^e$  components of the stator current vector in the excitation frame;
- the magnitude  $\lambda_r$  of the rotor flux, also supplied by the rotor flux calculator and presumed equal to  $\lambda_{DR}^e$ , is multiplied by  $i_{QS}^e$  and by the torque constant  $K_T$  to calculate the developed torque.

Figure 7 illustrates an independent flux and torque control block diagram, based on the vector control of an IM with direct rotor flux orientation. In the system, proportional-plus-integral (PI)-based field and torque controllers are used to generate the control signals  $i_{DS}^{e*}$  and  $i_{QS}^{e*}$  in the excitation frame by comparing the target rotor flux  $\lambda_r^*$ , and the target torque  $T^*$ , with the actual rotor flux  $\lambda_r$ , and torque  $T$ . Then,  $i_{DS}^{e*}$  and  $i_{QS}^{e*}$  from the excitation frame are transferred into  $i_{ds}^{s*}$  and  $i_{qs}^{s*}$  of the stator reference frame using a rotor flux angle. Furthermore,  $i_{ds}^{s*}$  and  $i_{qs}^{s*}$  in the stator reference frame are transferred into the phase current signals  $i_{as}^*$ ,  $i_{bs}^*$ , and  $i_{cs}^*$  through static transformation.

The phase current signals, as the reference signals, are used to control the power electronics of the inverter to generate the corresponding phase current  $i_{as}$ ,  $i_{bs}$  and  $i_{cs}$  [10]. In practice, the ratio of  $L_r$  to  $L_m$ , and the rotor leakage inductance,  $L_{1r}$ , which are used in the rotor flux calculator (see Figure 5), are not significantly affected by changes in the operating conditions of the motor, such as the winding temperature or saturation of the magnetic circuit [8]. Therefore, the described field orientation techniques are the most robust and accurate. However, it requires the placement of vulnerable Hall sensors in the motor's air gap, to the detriment of the cost and reliability of the drive system [9], [11].

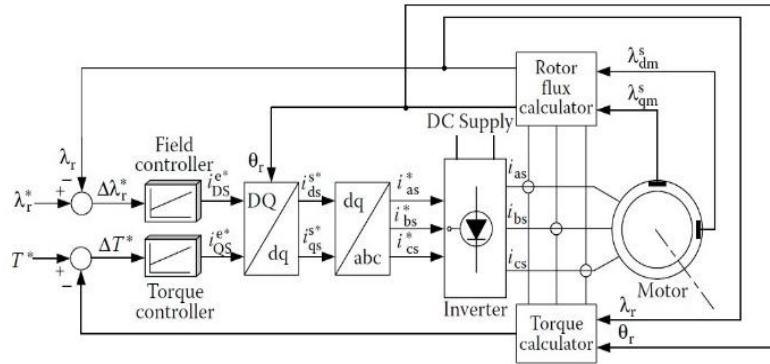


Figure 7. Vector control system for an IM with direct rotor flux orientation

### 3.2. Indirect flux control

The presence of vulnerable Hall sensors in vector control with direct rotor flux orientation would weaken the reliability and enhance the cost of the motor drive. The indirect approach is to obtain the rotor flux position by the calculation of the slip speed,  $\omega_r$ , required for correct field orientation, and the imposition of the speed on the motor.

If the synchronous speed necessary to maintain the orthogonal orientation of vectors  $\lambda_R^e$  and  $i_R^e$  in the given operating conditions of the motor is denoted by  $\omega^*$ , the  $\theta_r$  the angle can be expressed as

$$\theta_r = \int_0^t \omega^* dt = \int_0^t \omega_r^* dt + \int_0^t \omega_0 dt = \int_0^t \omega_r^* dt + \theta_0 \quad (8)$$

where  $\omega^*$ ,  $\omega_r^*$  and  $\omega_0$  are synchronous speed, slip speed and rotor speed respectively, and  $\theta_0$  is the angular displacement of the rotor, which is easy to measure using a position sensor [12].

The rotor flux and the developed torque are controlled without the need for feedback. Consequently, the performance of the system strongly depends on the accurate knowledge of the motor parameters, a condition that can be difficult to satisfy in practical applications [13]. The rotor timing  $\tau_r$  varies substantially during the operation of the IM, generally due to changes in rotor resistance to temperature, the frequency-dependent skin effect on the rotor coils, and the effect of the impeller saturation on the inductor. On the other hand, the great advantage of such a system is that if a standard IM is used, the position of the rotor could be easily measured or estimated by an external sensor [14], [15].

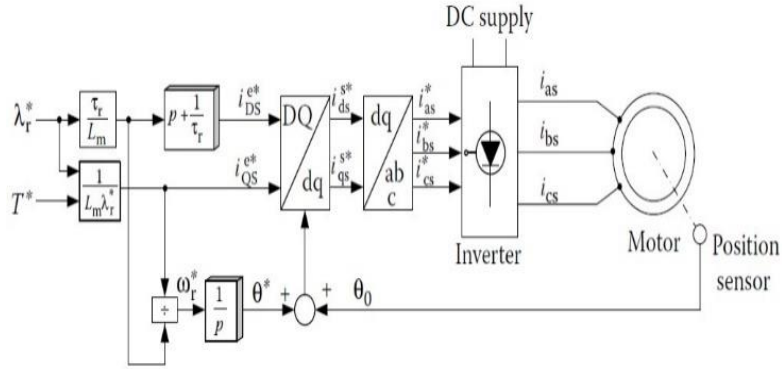


Figure 8. Vector control system for an IM with indirect rotor flux orientation

### 3.3. PI Controller

An electrical drive based on the FOC needs two constants as control parameters: the torque component reference  $i_{sqref}$  and the flux component reference  $i_{sdref}$ . The classic numerical proportional-and-integral (PI) regulator is well suited for regulating the torque and flux feedback to the desired values as it is able to reach constant references, by correctly setting both, the P term ( $K_{pi}$ ), and the I term ( $K_i$ ) which are respectively responsible for the error sensibility and for the steady-state error [1]. The numerical expression of the PI regulator is as follows:

$$U_k = K_{pi}e_k + K_i e_k + \sum_{n=0}^{k-1} e_n \quad (9)$$

which can be represented by Figure 9:

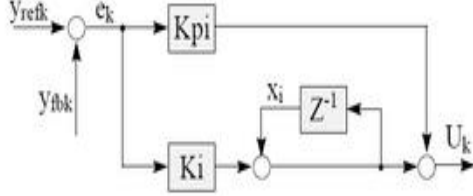


Figure 9. Classical numerical PI regulator structure

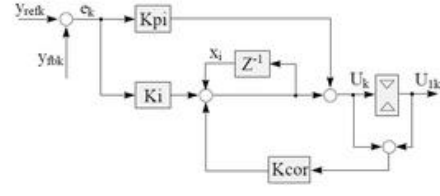


Figure 10. Numerical PI regulator with the correction of the integral component

According to (9), the limiting point for the control scheme presented in Figure 9 is that during normal operation, or during tests, large reference value variations or large disturbances may occur, resulting in saturation and overflow of the regulator variables and output. If they are not controlled, this kind of non-linearity damages the dynamic performance of the system. To solve this problem, one solution is to add to the previous structure a correction of the integral component as depicted in Figure 10. The integral term correction algorithm in a high-level language is given below:

**Input**  $y_{refk}, y_{fbk}$

$$e_k = y_{refk} - y_{fbk} \quad (10)$$

$$u_k = x_i - K_{pi}e_k \quad (11)$$

$$u_{lk} = u_k \quad (12)$$

If  $u_k > u_{max}$  then  $u_{lk} = u_{max}$

If  $u_k < u_{min}$  then  $u_{lk} = u_{min}$

**Output**  $u_{lk}$

$$e_{lk} = u_k - u_{lk} \quad (13)$$

$$x_i = x_i - K_i e_k + K_{cor} e_{lk} \quad (14)$$

where  $u_{max}, u_{min}$  are the limitations of the output variables.

#### 4. Results and Discussion

Figure 11 shows the results of an IM simulation with direct rotor flux control in a case when the PI controller is not tuned properly. Before adjusting the PI controller, it is easy to see that at first, we have a high starting torque and a slight slowdown in speed rise from

$t=0$  to  $t=0.2$  s, which takes time to reach the desired speed and torque. Figure 12 shows the difference between the targeted motor speed given in yellow, and the actual motor speed given in blue color. It is evident that using an untuned PI controller we have oscillation in response, and thus a slow approximation to the desired speed value. Since it is an electric vehicle that carries a heavy load when traveling at low speeds, these oscillations could be very sensitive.

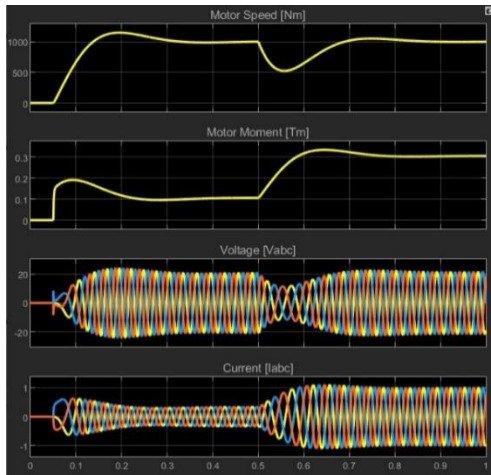


Figure 11. Time diagram of motor speed, moment, current and voltage before tuning the PI controller

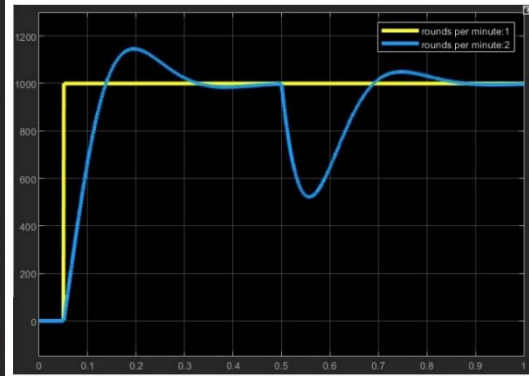


Figure 12. Time diagram of actual and targeted motor speed before tuning the PI controller

Contrary, Figures 13 and 14 show a simulation of an electric vehicle where the PI controller is correctly tuned. With a properly tuned PI controller, we see that the desired speed is reached quickly and there is no deviation. However, a small speed disturbance occurs at  $t=0.5$ s. This disturbance occurs when the vehicle starts to move at a certain speed which means that at that time, the motor momentum and speed start to rise sharply and tend to accelerate and reach the default value, this to this end, the engine current is increasing. It should be noted that in this electric vehicle the tuning of the PI controller is automatic and is based on the mathematical model of the system.

## 5. Conclusions

Based on what has been said so far, we can draw several conclusions. At the beginning of this work, we have seen how transformations are performed and how those transformations allow for the linearization of engine parameters and easier motor exploitation and control. We can conclude that this is an electric drive at which the moment is constant, and therefore the power is variable. We have seen two types of direct and indirect rotor flux control and their preconditions. Therefore we can conclude that the direct control of the rotor flux requires Hall sensors which reduces the reliability of the system and therefore nowadays the indirect vector control technique replaces the direct vector control and is used more.



We have also seen that the PI controller must be properly tuned at all times so that we do not deviate from the desired values. All this tells us that, when powered at low speeds and high loads, the most appropriate choice of control is vector control, but this type of control is also a major challenge as it is quite delicate to perform. From the above discussion, it can be concluded that IM control is essential. Therefore, a well-established motor drive that is simple, solid, low cost and with low maintenance needs could well serve the required purpose in various electric drives including modern electric vehicles.

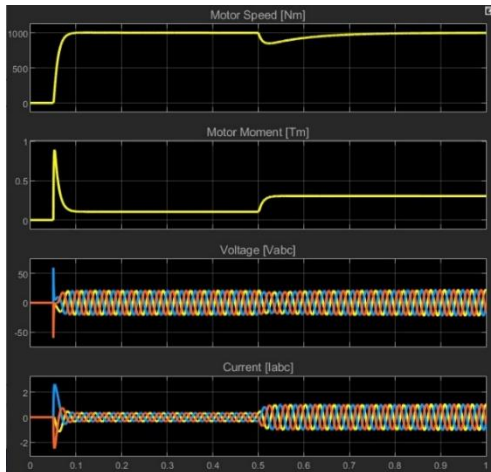


Figure 13. Time diagram of motor speed, moment, current and voltage after tuning the PI controller

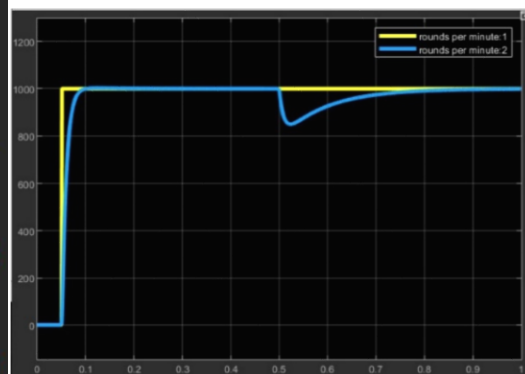


Figure 14. Time diagram of actual and targeted motor speed after tuning the PI controller

### References

- [1] *Texas Instruments Europe, (1998) Field Orientated Control of 3-Phase AC-Motors, Literature Number: BPRA073, Company Brochure.*
- [2] *Kazmierkowski, P. M., Franquelo, G. L., Rodriguez, J., Perez, M., I. Leon, I. J., (2011) High-Performance Motor Drives, IEEE Industrial Electronics Magazine, pp. 2-31.*
- [3] *Sen, C. P., (1990), Electric Motor Drives and Control – Past, Present and Future, IEEE Trans. on Industrial Electronics, Vol. 37, No. 6, pp. 562-575.*
- [4] *Ahmad, M., (2010) High Performance AC Drives Modelling Analysis and Control, Book, ISSN 1612-1287, ISBN 978-3-642-13149-3.*
- [5] *Wallace, T. I., Novotny, W. D., Lorenz, D. R., Divan, M. D., (1994) Increasing the Dynamic Torque Per Ampere Capability of Induction Machines, IEEE Trans. on Industry Applications, Vol. 30, No. 1, pp. 146-153.*
- [6] *Xu, X., Doncker, De R., Novotny, W. D., (1991) A Stator Flux Oriented Induction Machine Drive, IEEE Trans. on Industry Applications, Proc. PESC'88, pp. 870-876.*
- [7] *Gopal B. T. V., (2017) Comparison Between Direct and Indirect Field Oriented Control of Induction Motor, International Journal of Engineering Trends and Technology (IJETT), 2017, Vol. 43, No. 6, pp. 364-369, ISSN: 2231-5381.*
- [8] *Kreindler, L., Moreira, C. J., Testa, A., Lipo, A. T., (1994) Direct Field Orientation Controller Using the Stator Phase Voltage Third Harmonic”, IEEE Trans. on Industry Applications, Vol. 30, No. 2, pp. 441-447.*
- [9] *Xu, X., Novotny, W. D., (1991) Implementation of Direct Stator Flux Orientation Control on a Versatile DSP Based System, IEEE Trans. on Industry Applications, Vol. 30, No. 1, pp. 870-876.*

- [10] *Liu, T., Fu, J., Lipo, A. T., (1993) A Strategy for Improving Reliability of Field-Oriented Controlled Induction Motor Drives, IEEE Trans. on Industry Applications, Vol. 29, No. 5, pp. 910-918.*
- [11] *Profumo, F., Griva, G., Pastorelli, M., Moreira, J., Doncker, de R., (1992) Universal Field Oriented Controller Based on Air gap Flux Sensing via Third Harmonic Stator Voltage”, Conf. Rec. IEEE-IAS’92, pp. 515-523.*
- [12] *Wu, K. Z., Strangas, G. E., (1998) Feed Forward Field Orientation Control of an Induction Motor Using a PWM Voltage Source Inverter and Standardized Single-Board Computers, IEEE Trans. on Industrial Electronics, Vol. 35, No. 1, pp. 75-79.*
- [13] *Chan, C. C., Wang, H., (1990) An Effective Method for Rotor Resistance Identification for High-Performance Induction Motor Vector Control, IEEE Trans. on Industrial Electronics, Vol. 37, No. 6, pp. 477-482.*
- [14] *Nordin, B. K., Novotny, W. D., Zinger, S. D., (1985) The Influence of Motor Parameter Deviations in Feedforward Field Orientation Drive Systems, IEEE Trans. on Industry Applications, Vol. IA-21, No. 5, pp. 1009-1015.*
- [15] *Lorenz, D. R., Lawson, B. D., (1990) Flux and Torque Decoupling Control for Field-Weakened Operation of Field-Oriented Induction Machines, IEEE Trans. on Industry Applications, Vol. 26, No. 2, pp. 290-295.*
- [16] *Espinoza, J., Joos, G., (1993) On-line Generation of Gating Signals for Current Source Converter Topologies, IEEE International Symposium on Industrial Electronics Conference Proceeding, pp. 674-678.*
- [17] *Ben-Brahim, L., Kawamura, A., (1992) A Fully Digitalized Field Oriented Controlled Induction Motor Drive Using Only Current Sensors, IEEE Trans. on Industrial Electronics, Vol. 39, No. 3, pp. 241-249.*
- [18] *Akin, B., (2003) State Estimations Techniques for Speed Sensorless Field Oriented Control of Induction Motors, PhD Thesis, Graduate School of Natural and Applied Sciences of Middle East Technical University.*
- [19] *Sanusi, S., Ibrahim, Z., Jidin, A., Jopri, M., H., Abdul-Karim, K., Othman, M. N., (2013) Implementation of Space Vector Modulation for Voltage Source Inverter”, ICEMS International Conference on Electrical Machines and Systems, pp.1361-1366.*
- [20] *Tripathi, A., Sen, C. P., (1992) Comparative Analysis of Fixed and Sinusoidal Band Hysteresis Current Controllers for Voltage Source Inverters, IEEE Trans. on Industrial Electronics, Vol. 39, No. 1, pp. 63-73.*
- [21] *Kazmierkowski, P. M., Sulkowski, W., (1991) A Novel Vector Control Scheme for Transistor PWM Inverter-Fed Induction Motor Drive, IEEE Trans. on Industrial Electronics, Vol. 38, No. 1, pp. 41-47.*

**Toshe Velkov**

University of Goce Delchev Shtip  
Faculty of Electrical Engineering, Krste Misirkov 10-A  
2000 Shtip, Republic of North Macedonia  
E-mail address: [tose.20450@student.ugd.edu.mk](mailto:tose.20450@student.ugd.edu.mk)

**Vlatko Chingoski**

University of Goce Delchev Shtip  
Faculty of Electrical Engineering, Krste Misirkov 10-A  
2000 Shtip, Republic of North Macedonia  
E-mail address: [vlatko.cingoski@ugd.edu.mk](mailto:vlatko.cingoski@ugd.edu.mk)